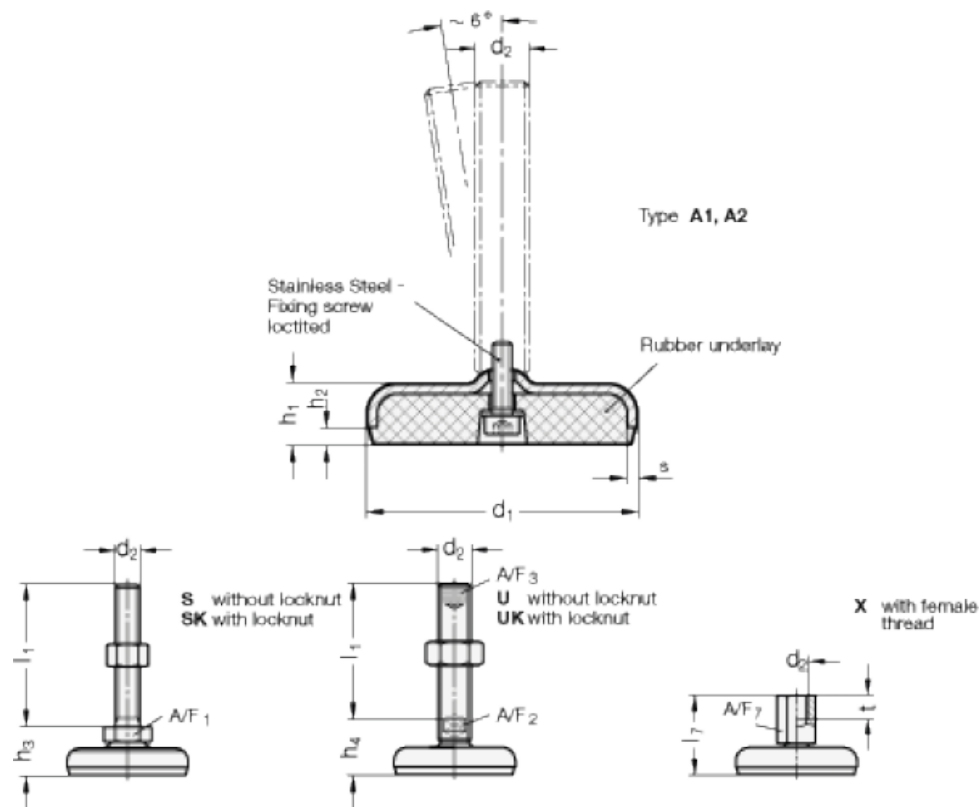


Article number: 2030100M24100A1U

Description: E+G levelling foot  
GN 30-100-M24-100-A1-U

Note: U Without nut, Hexagon socket at the top, Wrench flat at the bottom

## Measures



A/F2 = 15  
A/F3 = 10  
 $d_1$  = 100  
 $d_2$  = M24  
 $h_1$  = 20  
 $h_2$  = 6  
 $h_4$  = 35  
 $l_1$  = 100

$s = 3$